

Pineuare[®]

INSTRUCTIONS AND WARRANTY



MODEL NO. PFP50

PINEWARE 5.5L ELECTRIC FRYING PAN

Congratulations on purchasing your Pineware 5.5L electric frying pan. Each unit is manufactured to ensure safety and reliability. Before using this appliance for the first time, please read the instruction manual carefully and keep it for future reference.

FEATURES OF THE PINEWARE 5.5L ELECTRIC FRYING PAN

- 1500W
- 5.5L capacity
- Dimensions: 30 x 30 cm
- 7cm deep interior for cooking, frying, poaching, defrosting and keeping food warm
- Cool-touch handles
- 1m Cable length (with plug)
- Easy-to-read, adjustable thermostat control with 5 heat settings
- Temperature range: 50-200°C
- Tempered glass lid with steam vent for good visibility and thermo-stability
- Non-stick coated aluminum pan for hassle-free cooking and easy cleaning
- With indicator light
- Excellent thermal insulation
- For domestic use only
- 1 year warranty

IMPORTANT SAFEGUARDS

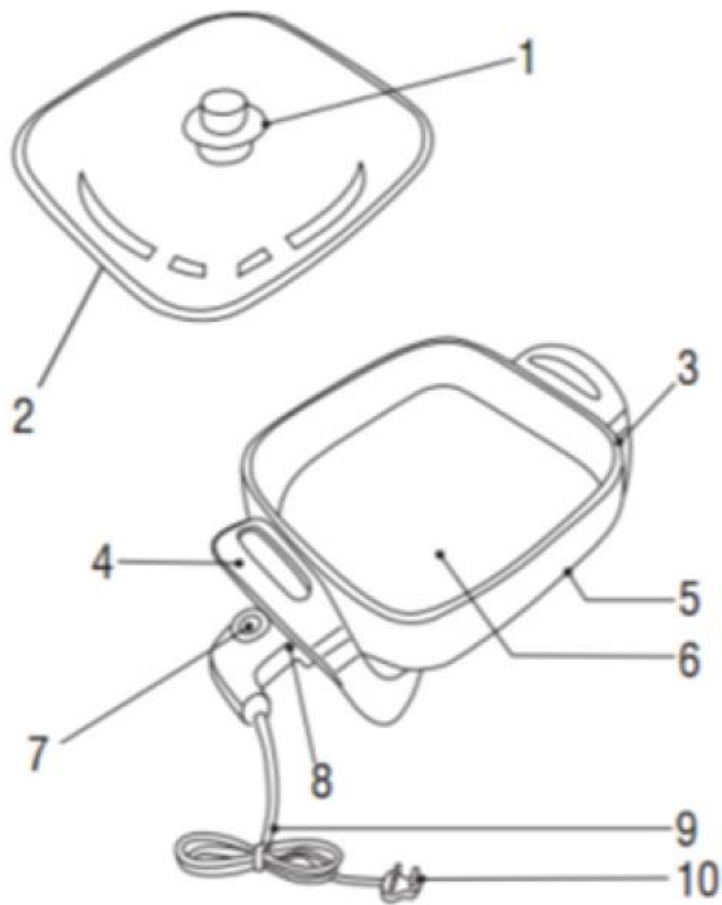
When using any electrical appliance, basic safety precautions should always be followed including the following:

1. Please read the instructions carefully before using any appliance.
2. Always ensure that the voltage on the rating label corresponds to the mains voltage in your home.
3. Incorrect operation and improper use can damage the appliance and cause injury to the user.
4. The appliance is intended for household use only. Commercial use invalidates the warranty and the supplier can not be held responsible for any injury or damage caused when using the appliance for any other purpose than that intended.
5. Close supervision is required when any appliance is used in the vicinity of children.

6. Check the power cord and plug regularly for any damage. If the cord or the plug is damaged, it must be replaced by the manufacturer or a qualified person to avoid an electrical hazard.
7. Do not use the appliance if it has been dropped or damaged in any way. In case of damage, take the unit in for examination and/or repair by an approved HOLB service agent.
8. To reduce the risk of electric shock, do not immerse or expose the element, thermostat control/ probe, plug or the power cord to water or any other liquid.
9. Never immerse the unit in water or any other liquid for cleaning purposes.
10. Remove the plug from the socket by gripping the plug. Do not pull on the cord to disconnect the appliance from the mains. Always unplug the unit when not in use, before cleaning or when adding or removing parts.
11. The use of accessory attachments or thermostat control/ probes that are not recommended or supplied by the manufacturer may result in injuries, fire or electric shock.
12. A short cord is provided to reduce the hazards resulting from becoming entangled in or tripping over a longer cord.
13. Do not let the cord hang over the edge of a table or counter. Ensure that the cord is not in a position where it can be pulled on inadvertently.
14. Do not allow the cord to touch hot surfaces and do not place on or near a hot gas or electric burner or in a heated oven.
15. Do not use the appliance on a gas or electric cooking top or over or near an open flame.
16. Use of an extension cord with this appliance is not recommended. However, if it is necessary to use an extension lead, ensure that the lead is suited to the power consumption of the appliance to avoid overheating of the extension cord, appliance or plug point. Do not place the extension cord in a position where it can be pulled on by children or animals or tripped over.
17. This appliance is not suitable for outdoor use. Do not use this appliance for anything other than its intended use.
18. DO NOT carry the appliance by the power cord.
19. Do not leave this appliance unattended during use. Always unplug the unit when not in use or before cleaning.
20. Always operate the appliance on a smooth, even, stable surface. Do not place the unit on a hot surface.
21. Ensure that the switch is in the "Off", "0" or at the "Min" position after each use.
22. The manufacturer does not accept responsibility for any damage or injury caused by improper or incorrect use, or for repairs carried out by unauthorised personnel.

23. In case of technical problems, switch off the appliance and do not attempt to repair it yourself. Return the appliance to an authorised service facility for examination, adjustment or repair. Always insist on the use of original spare parts. Failure to comply with the above mentioned pre-cautions and instructions, could affect the safe operation of this appliance.
24. Do not move the unit while in use.
25. Always insert the thermostat control/ probe into the unit and ensure it is fully inserted before inserting the plug in the power socket.
26. Do not use any sharp cooking utensils, as this will damage the non-stick finish on the unit. Only use wooden or plastic utensils.
27. Do not use caustic cleaners, nylons or metal brushes on the non-stick surface. It may scratch or damage the surface.
28. Do not touch hot surfaces. Use handles or knobs.
29. Do not place the thermostat control/ probe on the non-stick surface or store the thermostat control/ probe inside the pan. It may scratch or damage the surface.
30. Do not operate any appliance with a damaged cord or plug or after the appliance malfunctions or has been damaged in any manner. Return appliance to the nearest authorised service facility for examination, repair or adjustment.
31. Extreme caution must be used when moving an appliance containing hot oil or other hot liquids.
32. Do not operate this appliance by means of an external timer or separate remote-control system.
33. Keep hands, arms, face etc. clear from escaping steam when opening the lid.

PARTS DIAGRAM



1. Lid handle
2. Glass lid
3. Frying pan
4. Handle
5. Feet
6. Inner pan with non-stick coating
7. Adjustable thermostat control
8. Plate socket
9. Power cord
10. Plug

BEFORE FIRST USE

Before using this unit, please read these instructions carefully. Save this manual and pass it on to next user.

Before using this appliance for the first time, unpack the frying pan and remove all protective packaging and wrappings. Please ensure to discard the protective packaging and wrappings immediately. It is important to keep these away from babies, infants, children and animals for safety purposes.

Wash the frying pan as per the cleaning instructions provided. The inner pan must be wiped with warm soapy water, rinsed and towel dried. Do not immerse the unit in any liquid. DO NOT immerse the thermostat control/ probe or let the control come in contact with any liquid.

OPERATING INSTRUCTIONS

1. Place the unit on a firm, flat surface and place the lid on the unit.
2. Turn the temperature dial of the thermostat control/probe to the “Off”, “0” or “Min” position. Plug the thermostat control/ probe into the unit and ensure that it is fully inserted. Note: If the thermostat control/ probe is not completely inserted, abnormal heating may occur, resulting in damage.
3. Now insert the plug into the power socket and switch the power on.
4. Turn the thermostat control’s dial in a clockwise direction to turn the unit on and turn it to the required temperature.
5. The thermostat will produce a “click” sound when the unit has reached the desired temperature.
6. Before first use: pour some cooking oil into the pan together with some water and bring it to the boil and leave to boil for 5-7 minutes. Once complete, discard the oil and water mixture. Clean the inner pan and begin the cooking process. This quick measure will eliminate any manufacturing odours.
7. To cook: follow steps 1 to 5 above. Now lift the lid and place the food to be cooked into the pan. Be careful when inserting the food as the pan is hot and this may cause the food to splatter. During cooking, the thermostat may produce a “click” sound indicating that the desired temperature is being maintained.

8. As a general tip: low settings are ideal for casseroles, stews, steaming and other slow cooking. High settings are used for browning, shallow frying and grilling. Should you wish to let the food simmer, turn the temperature to its lowest setting.
9. Once the food is cooked to your preference, turn the thermostat control dial to the “Off”, “0” or “Min” position and unplug the unit from the power socket.
NOTE: Be careful when cooking as the pan and lid will be hot, only the handles will be cool enough to touch.

Following the below general tips can prolong the life of your frying pan:

1. Always wash the pan and lid as soon as possible after each use.
2. DO NOT pour cold water into a hot pan.
3. Never scrape with hard or sharp utensils when cleaning.
4. DO NOT place the thermostat control/ probe on the pan surface. It may scratch or damage the non-stick coating.
5. DO NOT wash the pan with the thermostat control/ probe connected.
6. Wash the frying pan after each use to avoid stains caused by a build-up of food or grease residues. Never leave food in the pan overnight.
7. Hold the unit at a 45° angle, socket side facing upwards for washing. This will prevent or at least minimize the likelihood of water getting into the socket.

COOKING TIPS

- Foods which overcook easily should be removed from the frying pan as soon as cooking has been completed.
- Try to dry meat, fish, poultry, etc. before adding to hot oil to prevent unnecessary splattering.
- Do not fry too much food at a time in order to prevent the oil temperature from dropping too dramatically.

CLEANING AND MAINTENANCE

- This appliance is for household use only and is not user-serviceable.

- Do not open or change any parts by yourself. Please refer to an approved home of living brands service centre
- Always remember to unplug the unit from the electrical outlet when not in use and before cleaning. Ensure that the temperature dial is set to the “OFF”, “0” or “Min” position.
- Always unplug the thermostat control/ probe from the unit before cleaning. Remove the thermostat control/ probe by gripping the control on either side firmly and pulling. Do not pull on the cord to remove the thermostat control/ probe from the pan.
- Never allow the thermostat control/ probe to come into contact with any liquid. To clean the thermostat control/ probe, gently wipe it with a soft dry cloth or paper towel. Always ensure that the thermostat control is completely dry before inserting it into the socket of the pan.
- Clean the body of the frying pan while it is still warm after use. Clean when the frying pan is comfortable to the touch. The frying pan should be cleaned with a damp cloth. Do not let water enter the appliance. Clean the frying area of the unit with a damp sponge. Should food not come off immediately, pour some water into the unit and allow to soak for a few minutes and then try again. Do not scrub the unit as this will damage the non-stick coating. Always ensure that the socket is completely dry before inserting the thermostat control/ probe.
- Do not use bleach or other abrasive substance or solvents to clean your appliance as it can be damaging to the finish.
- Do not immerse the unit in water or any other liquid or hold it under a running tap.
- To remove stubborn spots/marks, wipe the surface with a cloth, slightly dampened in soapy water or mild non-abrasive cleaner.
- Clean the frying pan after each use. After cleaning, rinse and dry with a clean, dry, soft cloth.
- To maintain a longer life of the non-stick coated surface on the inside of the pan, apply a very light coat of cooking oil to the non-stick coating with a paper towel before storing. Repeat periodically.

STORING THE APPLIANCE

- Unplug the unit from the wall outlet and clean all the parts as instructed above. Ensure that all parts are dry before storing.
- Store the appliance in its box or in a clean, dry place.
- Never store the appliance while it is still wet or dirty.
- Never wrap the power cord around the appliance. Do not store the appliance with the thermostat control/ probe inserted in the unit, always unplug it. Ensure the thermostat control/ probe is stored in a safe place where it will not be dropped, bumped or damaged.

SERVICING THE APPLIANCE

There are no user serviceable parts in this appliance. If the unit is not functioning correctly, please check the following:

- You have followed the instructions correctly.
- The mains power supply is ON.
- The plug is firmly in the mains socket.

If the appliance still does not work after checking the above:

Consult the retailer for possible repair or replacement. If the retailer fails to resolve the problem and you need to return the appliance, make sure that:

- The unit is packed carefully back into its original packaging.
- Proof of purchase is attached.
- A reason is provided for why it is being returned.

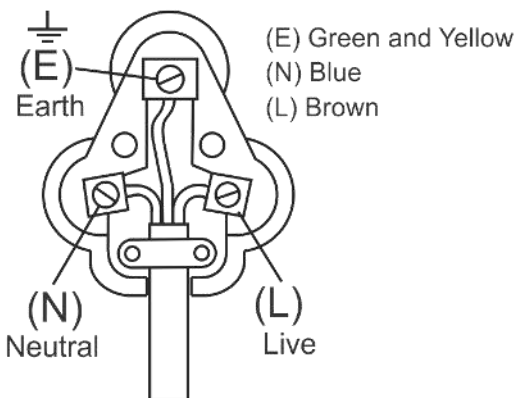
If the supply cord is damaged, it must be replaced by the manufacturer or an authorised service agent, in order to avoid any hazard. If service becomes necessary within the warranty period, the appliance should be returned to an approved Home of Living Brands (Pty) Ltd service centre. Servicing outside the warranty period is still available, but will, however, be chargeable.

CHANGING THE PLUG

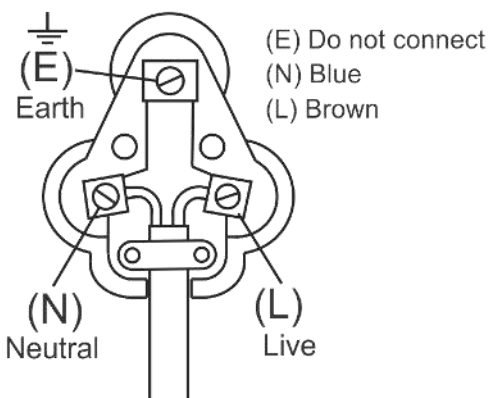
Should the need arise to change the fitted plug, follow the instructions below.

This unit is designed to operate on the stated current only. Connecting to other power sources may damage the appliance.

WARNING: If your appliance has three wires (Green/Yellow, Blue, Brown) then it **MUST** be earthed. Connect a three pin plug as shown below



If your appliance has only two wires (Blue, Brown) then it does not need to be earthed. Connect a three pin plug as shown below



**PLEASE AFFIX YOUR PROOF OF PURCHASE/RECEIPT HERE
IN THE EVENT OF A CLAIM UNDER WARRANTY THIS RECEIPT MUST BE PRODUCED.**

WARRANTY

1. Home of Living Brands (Pty) Limited warrants to the original purchaser of this product (“the customer”) that this product will be free of defects in quality and workmanship which under normal personal, family or household use and purpose may manifest within a period of 1 (one) year from the date of purchase (“warranty period”).
2. Where the customer has purchased a product and it breaks, is defective or does not work properly for the intended purpose, the customer must notify the supplier from whom the customer bought the product (“the supplier”) thereof within the warranty period. Any claim in terms of this warranty must be supported by a proof of purchase. If proof of purchase is not available, then repair, and/or service charges may be payable by the customer to the supplier.
3. The faulty product must be taken to the supplier's service centre to exercise the warranty.
4. The supplier will refund, repair or exchange the product in terms of this warranty subject to legislative requirements. This warranty shall be valid only where the customer has not broken the product himself, or used the product for something that it is not supposed to be used for. The warranty does not include and will not be construed to cover products damaged as a result of disaster, misuse, tamper, abuse or any unauthorised modification or repair of the product.
5. This warranty will extend only to the product provided at the date of the purchase and not to any expendables attached or installed by the customer.
6. If the customer requests that the supplier repairs the product and the product breaks or fails to work properly within 3 (three) months of the repair and not as a result of misuse, tampering or modification by or on behalf of the customer, then the supplier may replace the product or pay a refund to the customer.
7. The customer may be responsible for certain costs where products returned are not in the original packaging, or if the packaging is damaged. This will be deducted from any refund paid to the customer.

HOME OF LIVING BRANDS (PTY) LTD (JOHANNESBURG)

JOHANNESBURG
CAPE TOWN
DURBAN

TEL NO. (011) 490-9600
TEL NO. (021) 552-5161
TEL NO. (031) 303-1163

www.homeoflivingbrands.com
www.pineware.co.za